



sercos International e. V.
Kueblerstrasse 1
73079 Suessen, Germany

www.sercos.de



**Steinbeis-Transferzentrum
Systemtechnik**

Steinbeis-Transferzentrum Systemtechnik
Prof. Keller und Partner
Martinstrasse 42-44
73728 Esslingen, Germany

www.steinbeis-tzs.de

sercos EasySlave-IO

Reference design

Version: 0.1
Date: 07.11.2012

Abstract:

This document contains a reference schematic for the sercos EasySlave-IO based on the EasySlave Evaluation Kit.

Project: **sercos EasySlave-IO – Referencedesign for PCB**
Document Type: **Design files**
File: **Referencedesign_sercos_EasySlave-IO.doc**

Authors:

- Christian Hayer (Steinbeis-Transferzentrum Systemtechnik)

The Steinbeis-Transferzentrum Systemtechnik and sercos International e. V. are not liable for any errors in this documentation. Liability for direct and indirect damages arising in connection with the supply of this documentation is excluded in so far as it can be attached legally.

This documentation contains copyright-protected information.

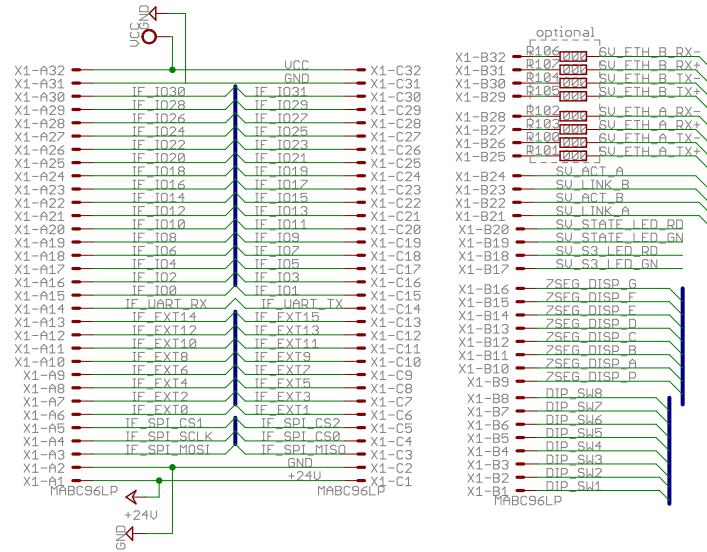
All rights, especially the right of duplication, distribution and translation, are reserved. No portion of the documentation may be reproduced, copied or distributed in any form (photocopy, microfilm, electronic file or other process) without prior written permission of sercos International e. V.



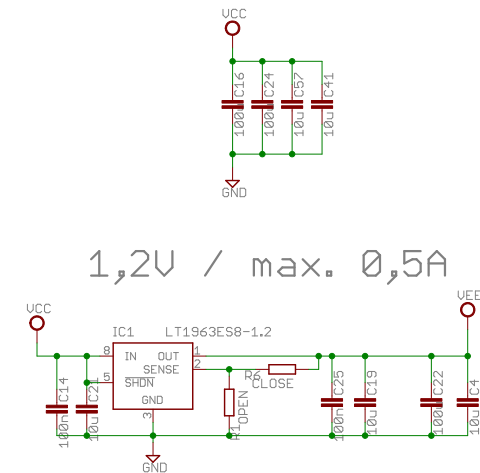
Revision History

Date	Version	Revision	Authors
07.11.2012	0.1	Document created	C. Hayer

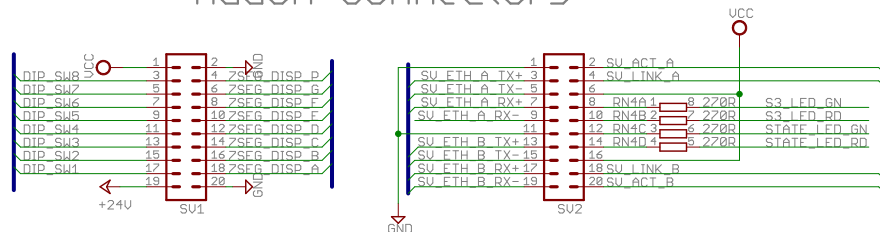
FPGA Interface



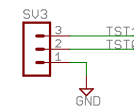
Power Supply



AddOn Connectors



Testpins



Steinbeis-TZS - C. Hayer
Power-Supply (3,3U, 1,2U)

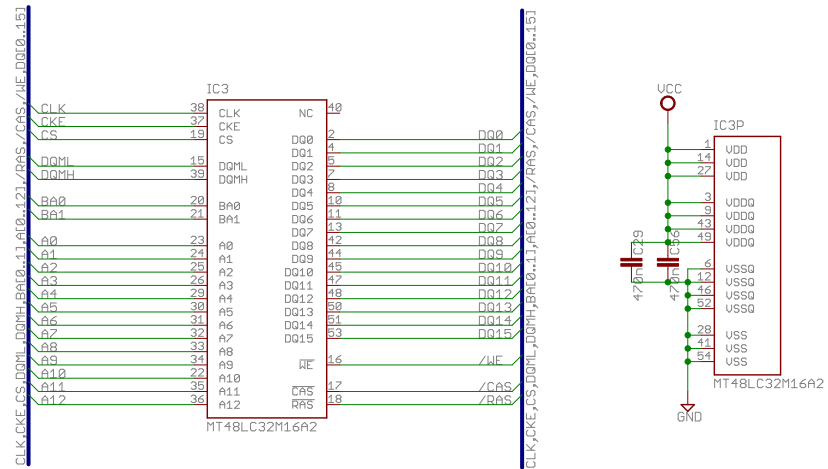
TITLE: EasySlave_Referenzdesign_XC6_FT256

Document Number: sercos EasySlave Reference Design REV: A

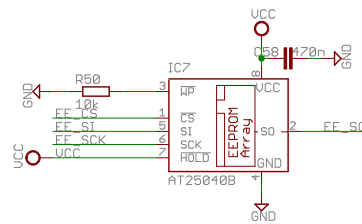
Date: 26.07.2012 08:36:37

Sheet: 1/5

SD-RAM (optional)



EEPROM (optional)



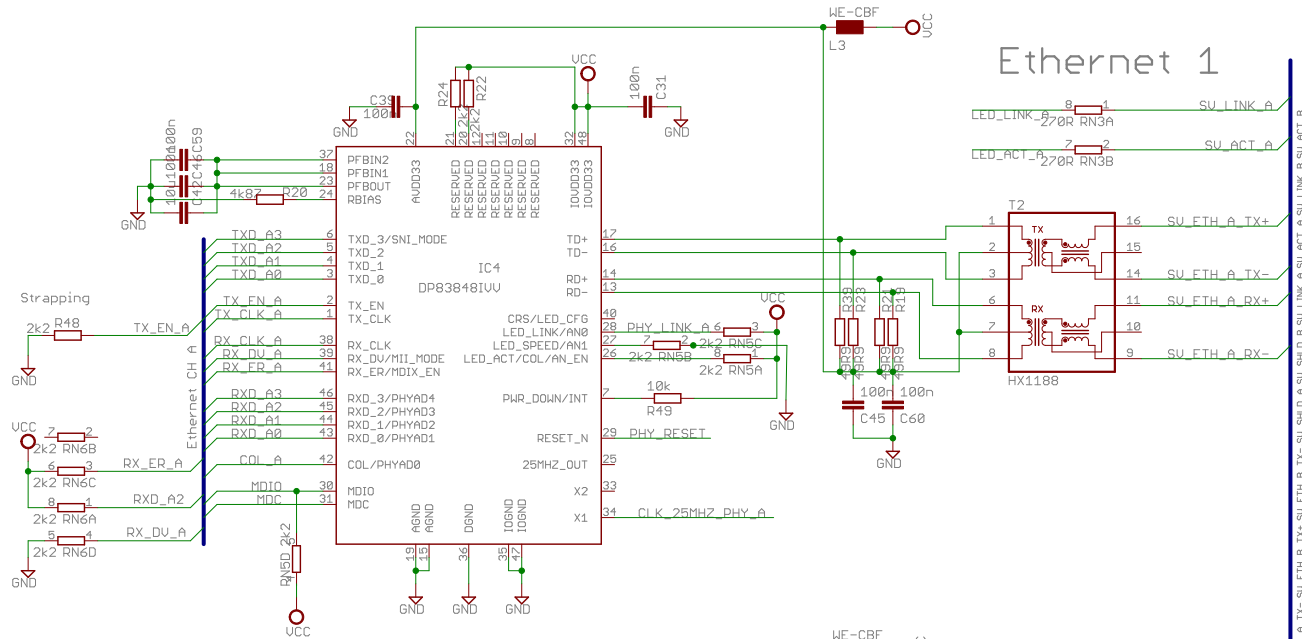
Steinbeis-TZS - C. Hayer
optional SD-RAM / EEPROM Memory

TITLE: EasySlave_Referenzdesign_XC6_FT256

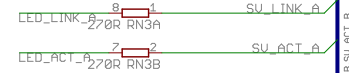
Document Number: sercos EasySlave Reference Design	REV: A
---	-----------

Date: 26.07.2012 08:36:37	Sheet: 3/5
---------------------------	------------

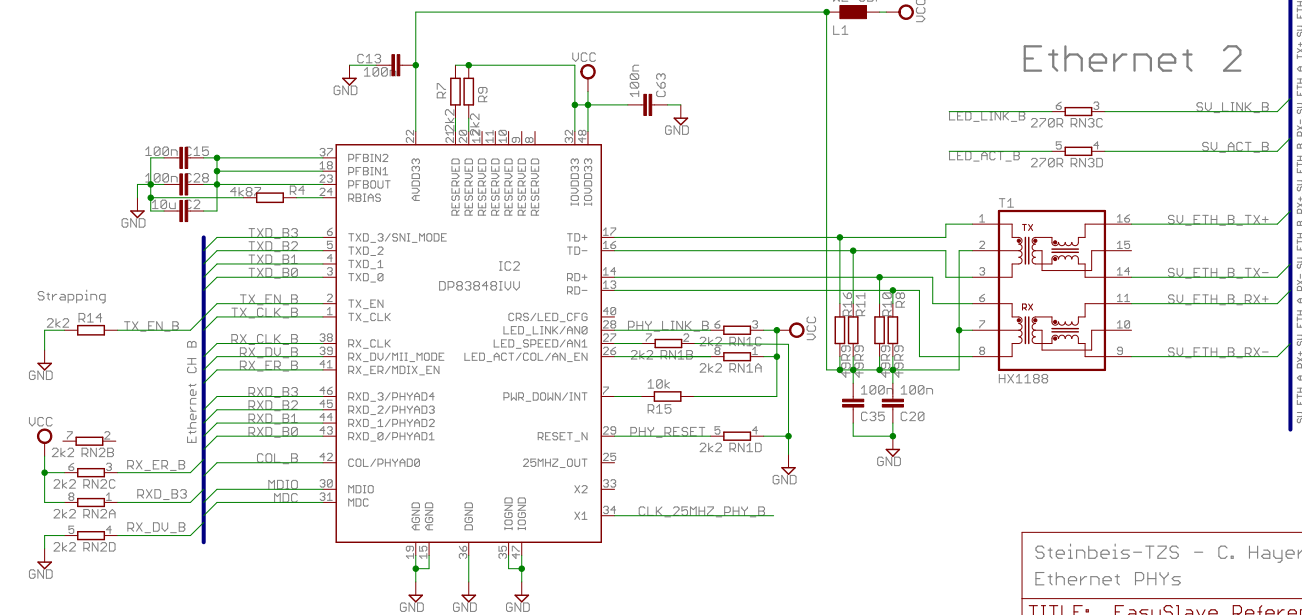
Ethernet-PHY 1



Ethernet 1



Ethernet-PHY 2



Ethernet 2



* further information see sercosWiki (<https://wiki.sercos.org>)

Steinbeis-TZS - C. Hayer
Ethernet PHYs

TITLE: EasySlave_Referenzdesign_XC6_FT256

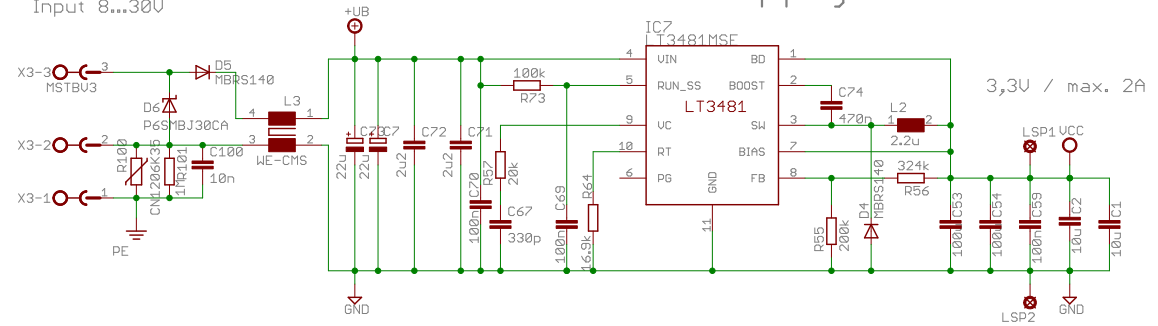
Document Number: sercos EasySlave Reference Design	REV: A
---	-----------

Date: 26.07.2012 08:36:37

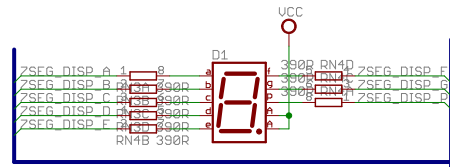
Sheet: 5/5

Input 8...30V

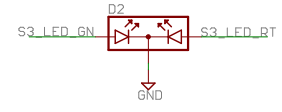
Power Supply



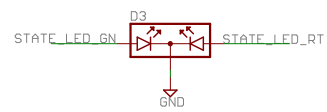
7-Segment display



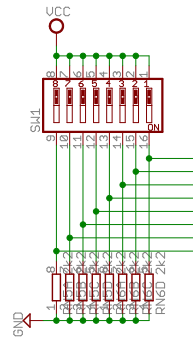
sercos LED



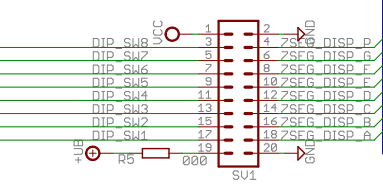
Device state LED



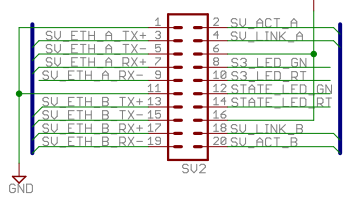
Address switch



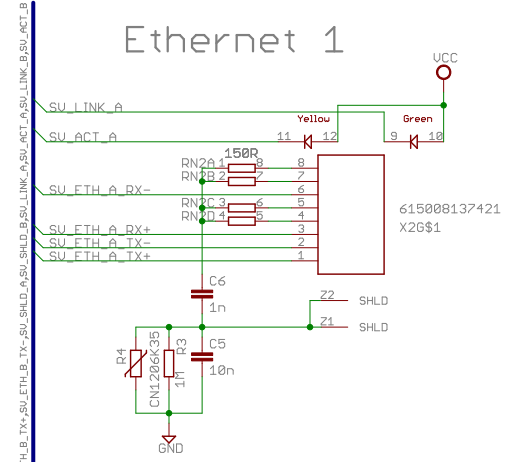
FPGA Connector



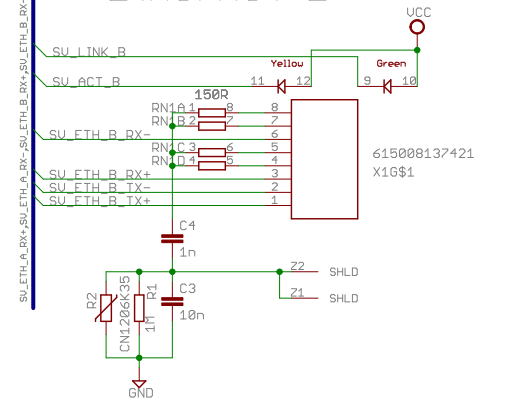
FPGA Connector



Ethernet 1



Ethernet 2



Steinbeis-TZS - C. Hayer	
Power Supply, ETH Connectors, LEDs, switches	
TITLE: EasySlave_Referenzdesign_ETH-Connect	
Document Number: sercos EasySlave Reference Design	REV: A
Date: 07.11.2012 11:43:53	Sheet: 1/1